

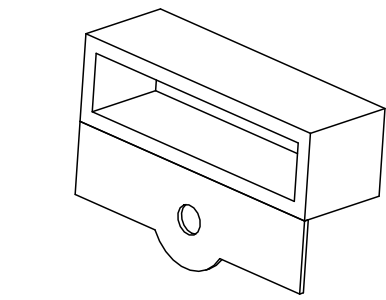
E L I S



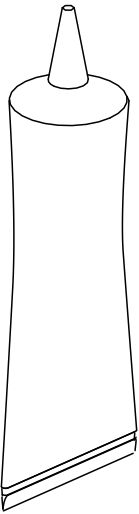
design

Návod na montáž

Postel Domeček Clasic s komínem



P

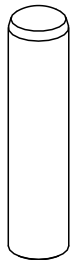


G
Leplidlo



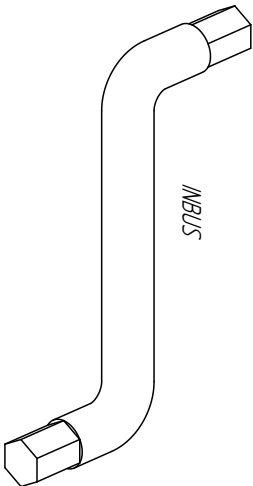
K10

M10x4,5



K8

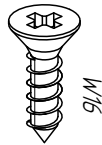
M8x4,0



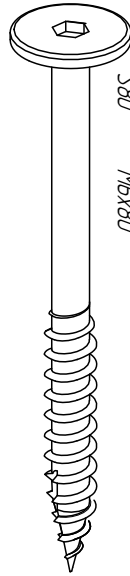
INBUS



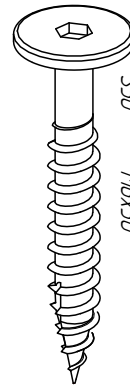
W30
M4x30



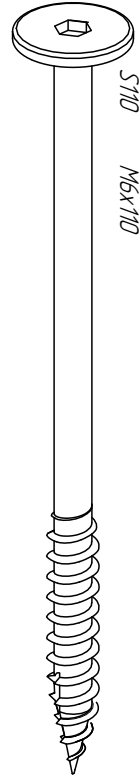
W16
M4x16



S80
M6x80



S50
M6x50



S110
M6x110

- S110 - x4
- S80 - x12
- W30 - x14
- W16 - x32
- P - x32
- K10 - x24
- G - x3
- INBUS - x1

Postel Domeček Clasic s komínem

60x120 70x140

70x160 80x140

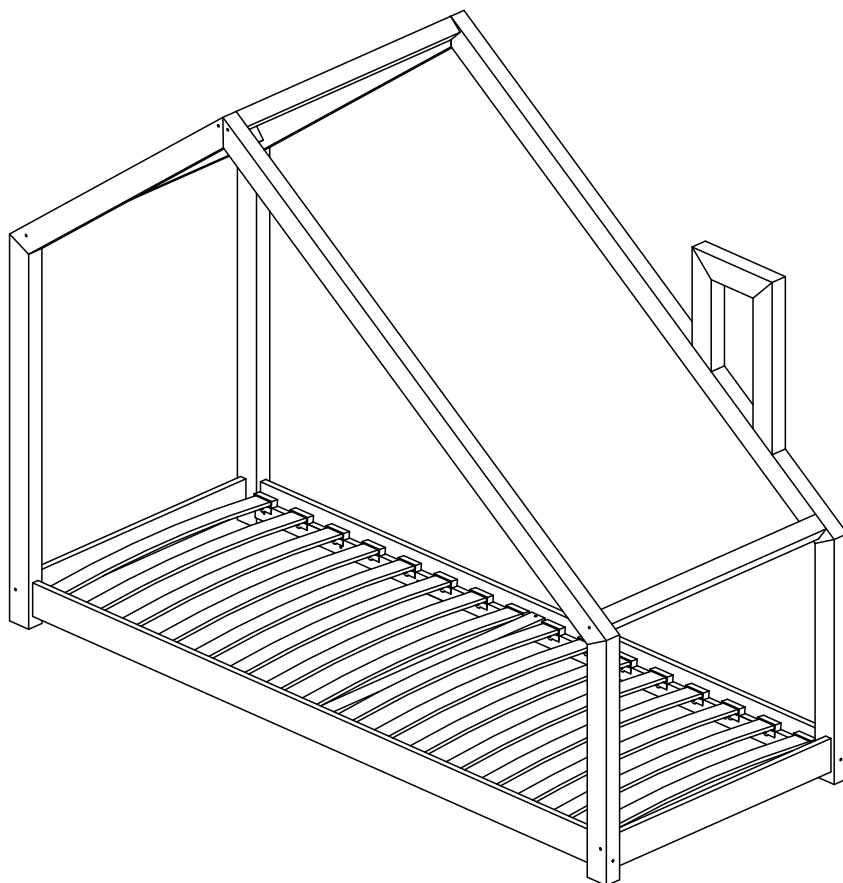
80x160 80x180

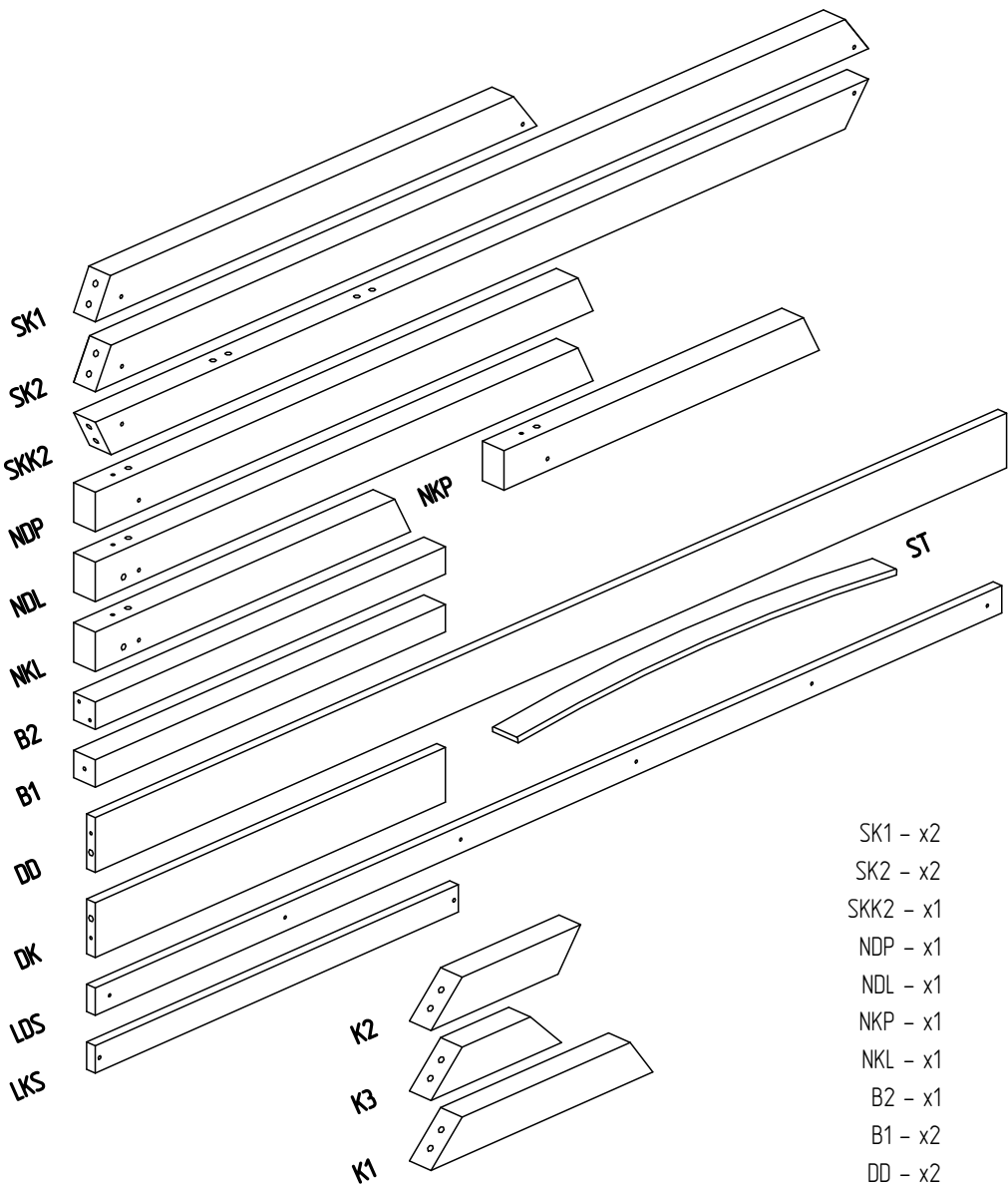
80x190 80x200

90x140 90x160

90x180 90x190

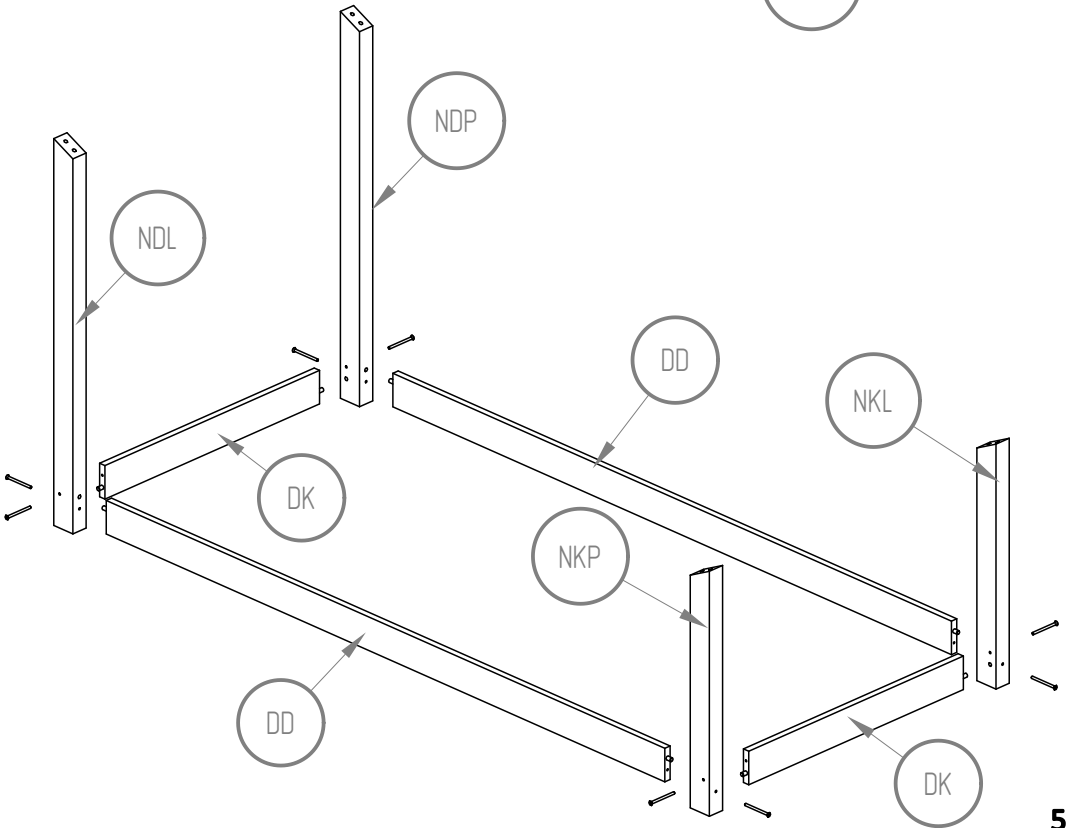
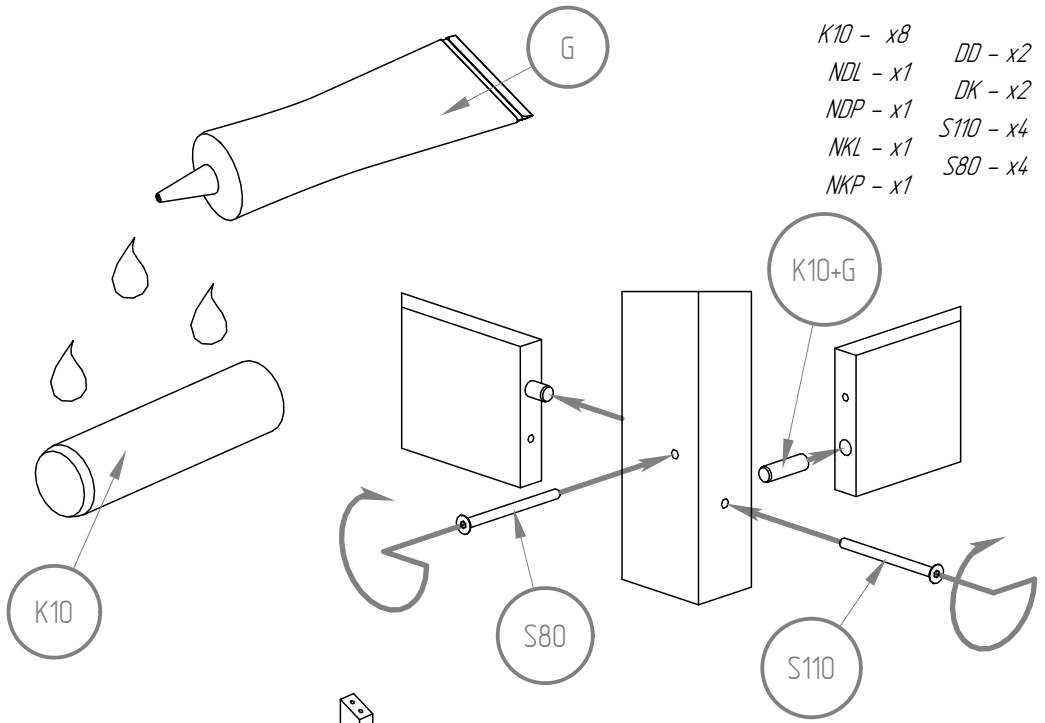
90x200

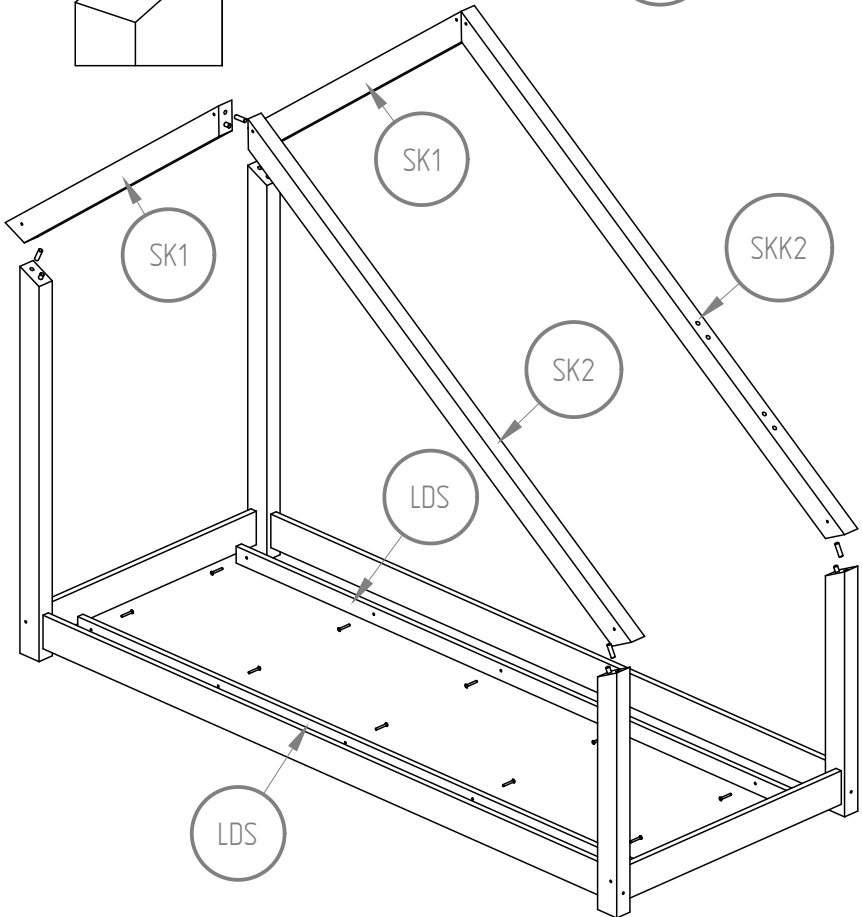
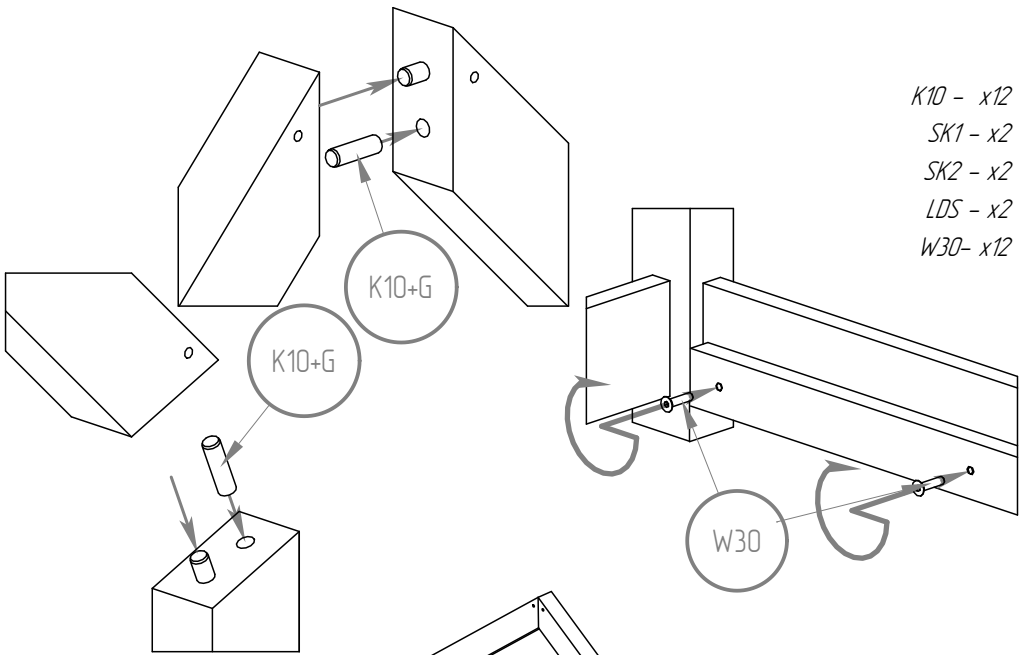




- SK1 - x2
- SK2 - x2
- SKK2 - x1
- NDP - x1
- NDL - x1
- NKP - x1
- NKL - x1
- B2 - x1
- B1 - x2
- DD - x2
- DK - x2
- LDS - x2
- LKS - x1
- ST - x16
- K2 - x1
- K3 - x1
- K1 - x1

K10 - x8 *DD - x2*
NDL - x1 *DK - x2*
NDP - x1 *S110 - x4*
NKL - x1 *S80 - x4*
NKP - x1





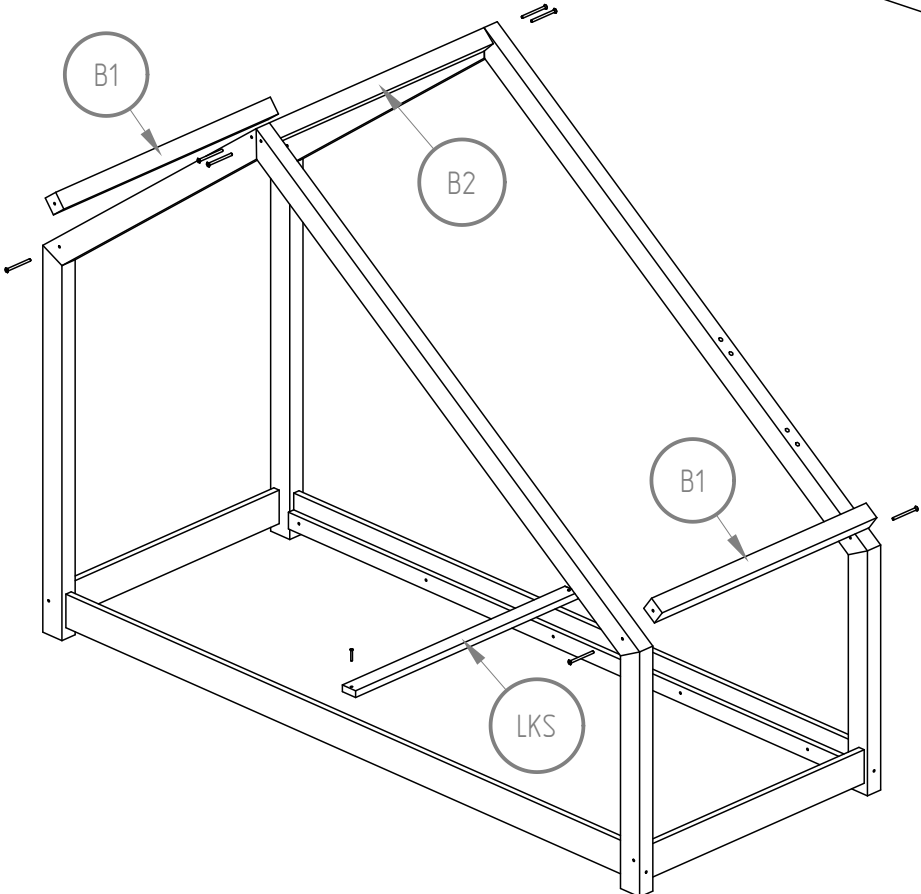
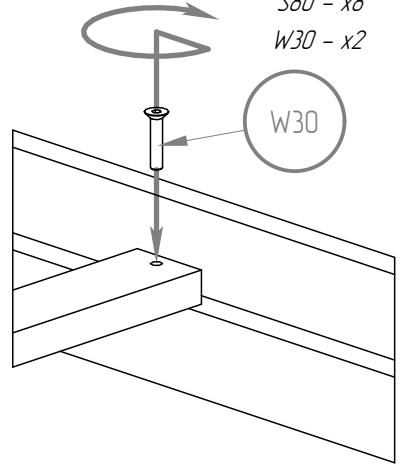
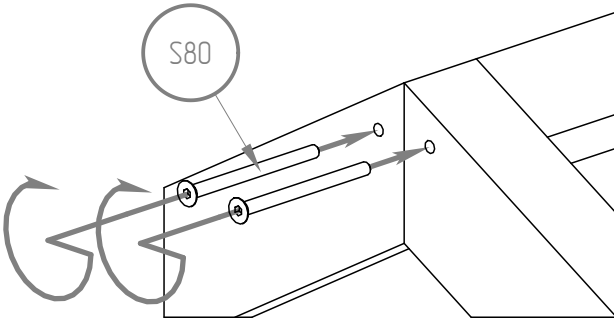
B2 - x1

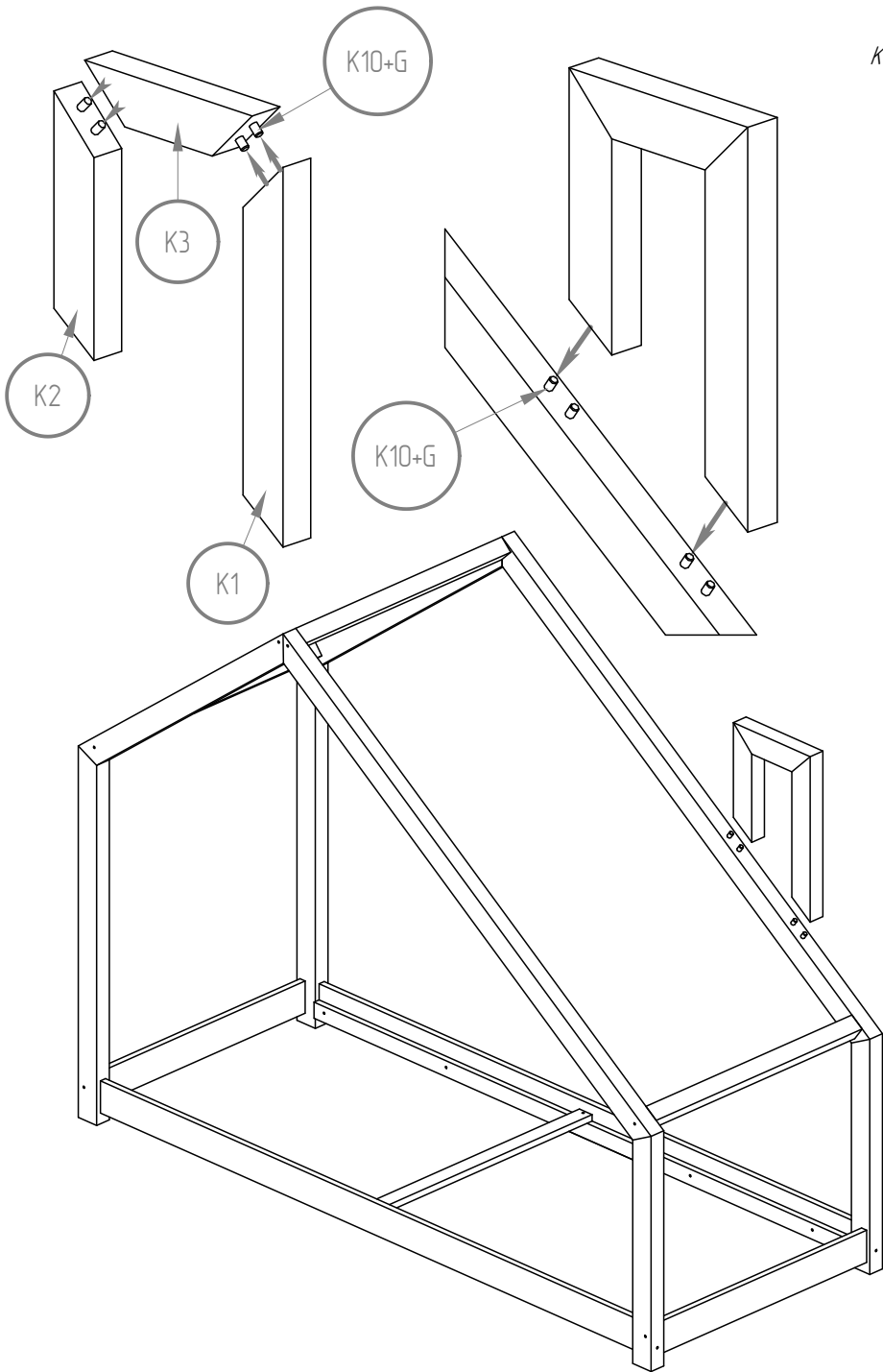
B1 - x2

LKS - x1

S80 - x8

W30 - x2



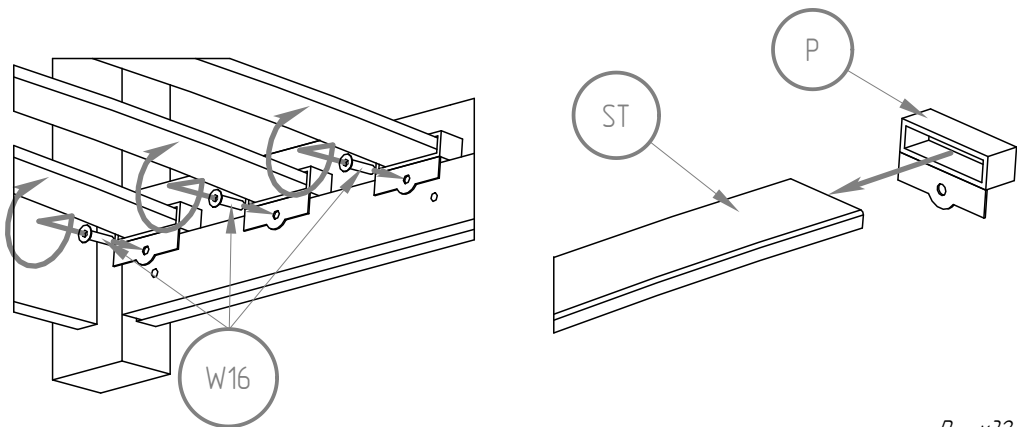


K10 - x8

K1 - x1

K2 - x1

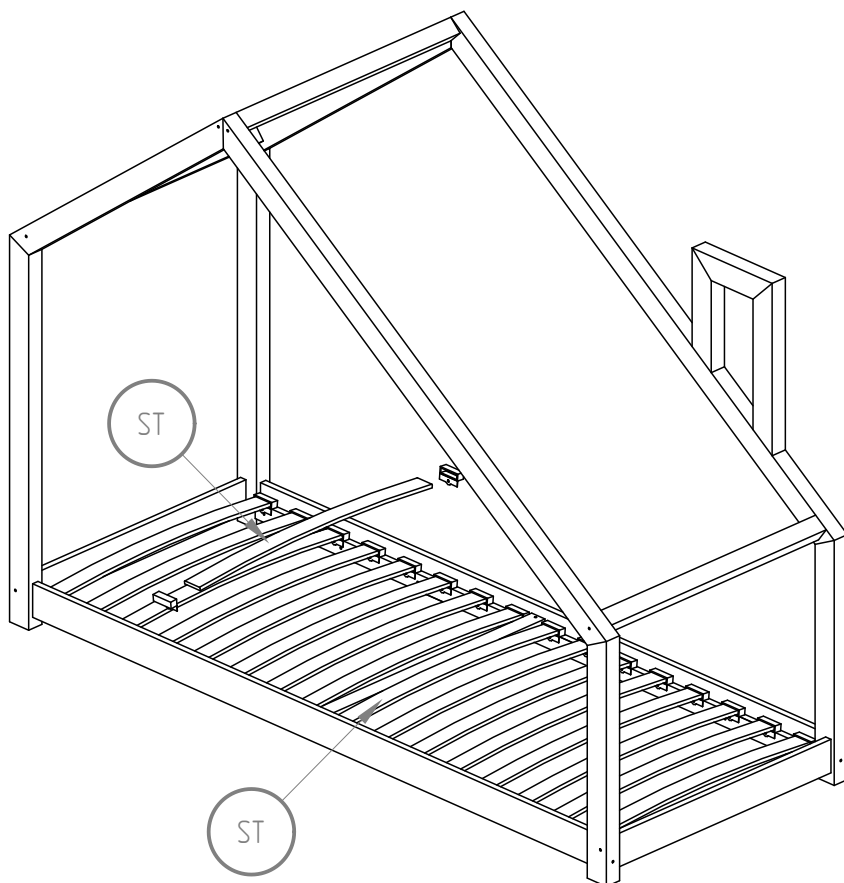
K3 - x1



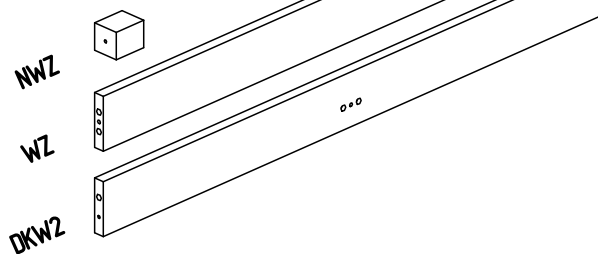
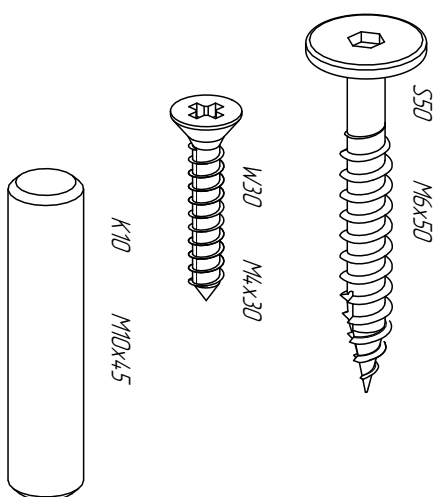
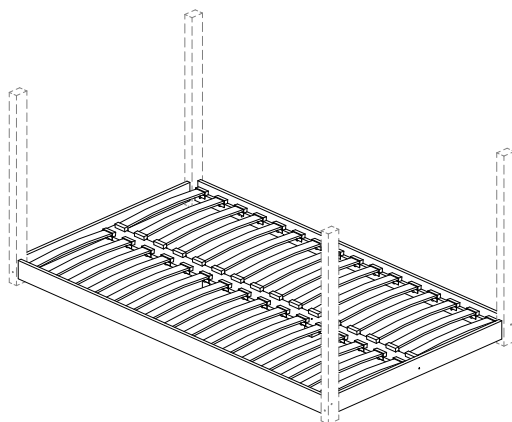
P - x32

ST - x16

W16 - x32



**Instalace postelí o šířce přes 90 cm,
doplňujeme tuto instrukci.**



+ SIZE

NWZ - x2

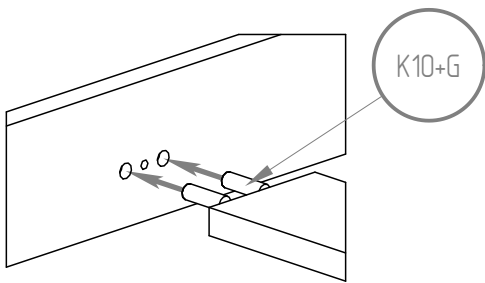
WZ - x1

DKW2 - x2

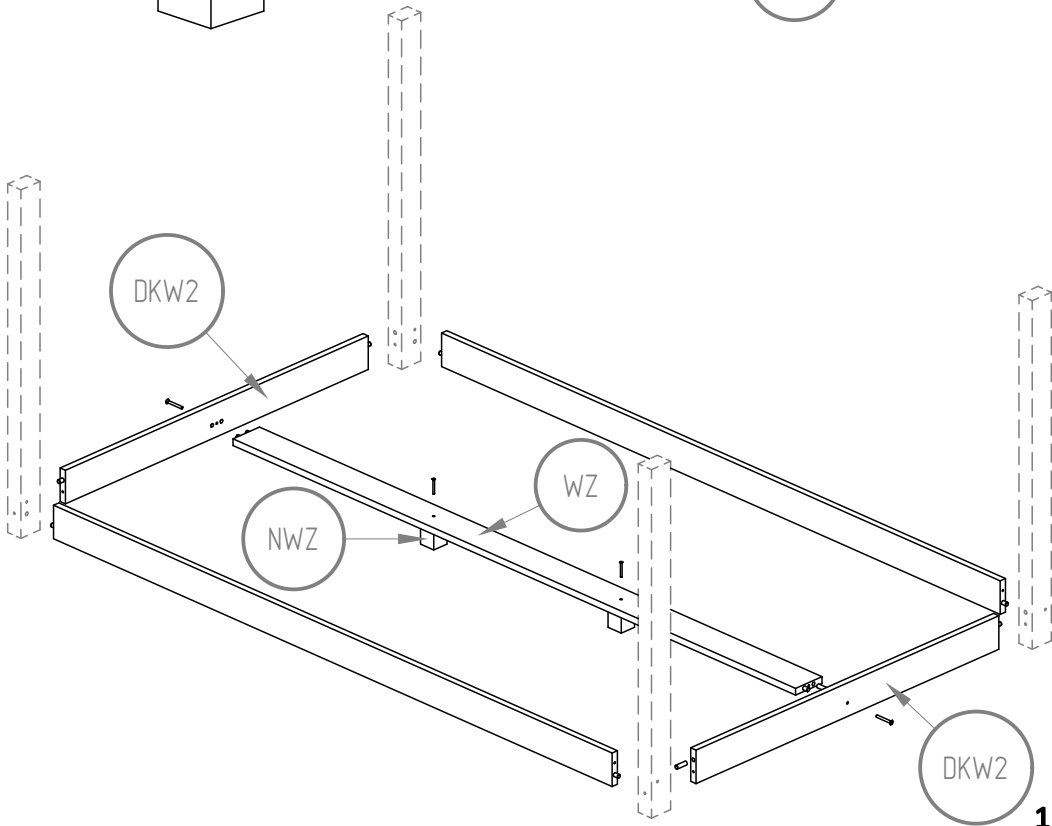
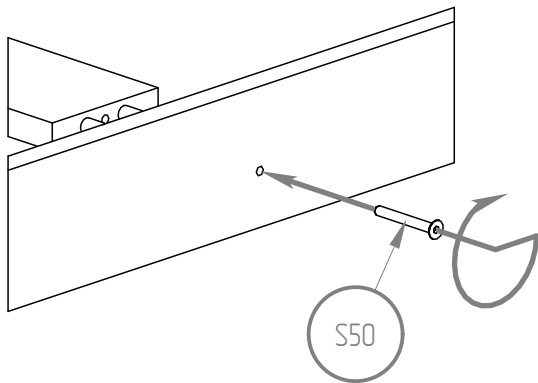
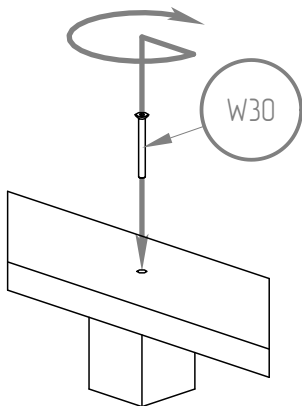
K10 - x4

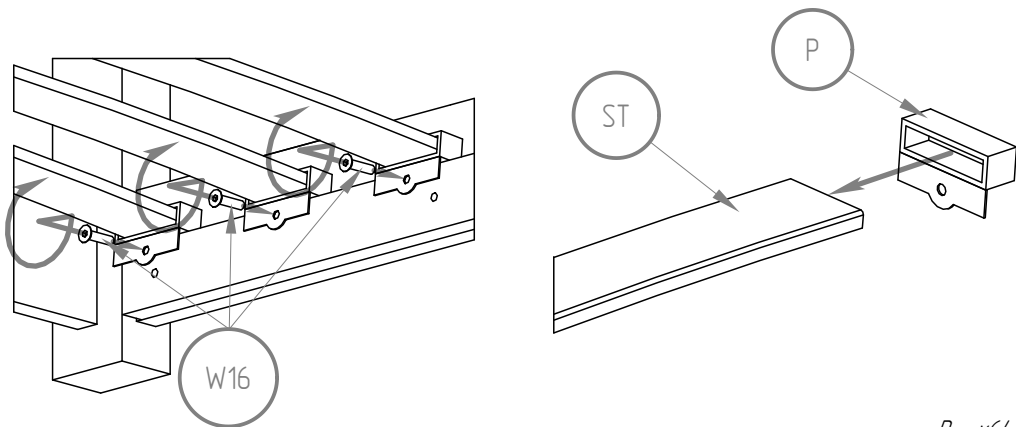
W30 - x2

S50 - x2



- K10 - x4*
- NWZ - x2*
- WZ - x1*
- DKW2 - x2*
- S50 - x2*
- W30 - x2*





P - x64
ST - x32
W16 - x64

